



INSTALLATION INSTRUCTIONS

Product

7170-0585 & 7170-0586

Revision

REV A

Form

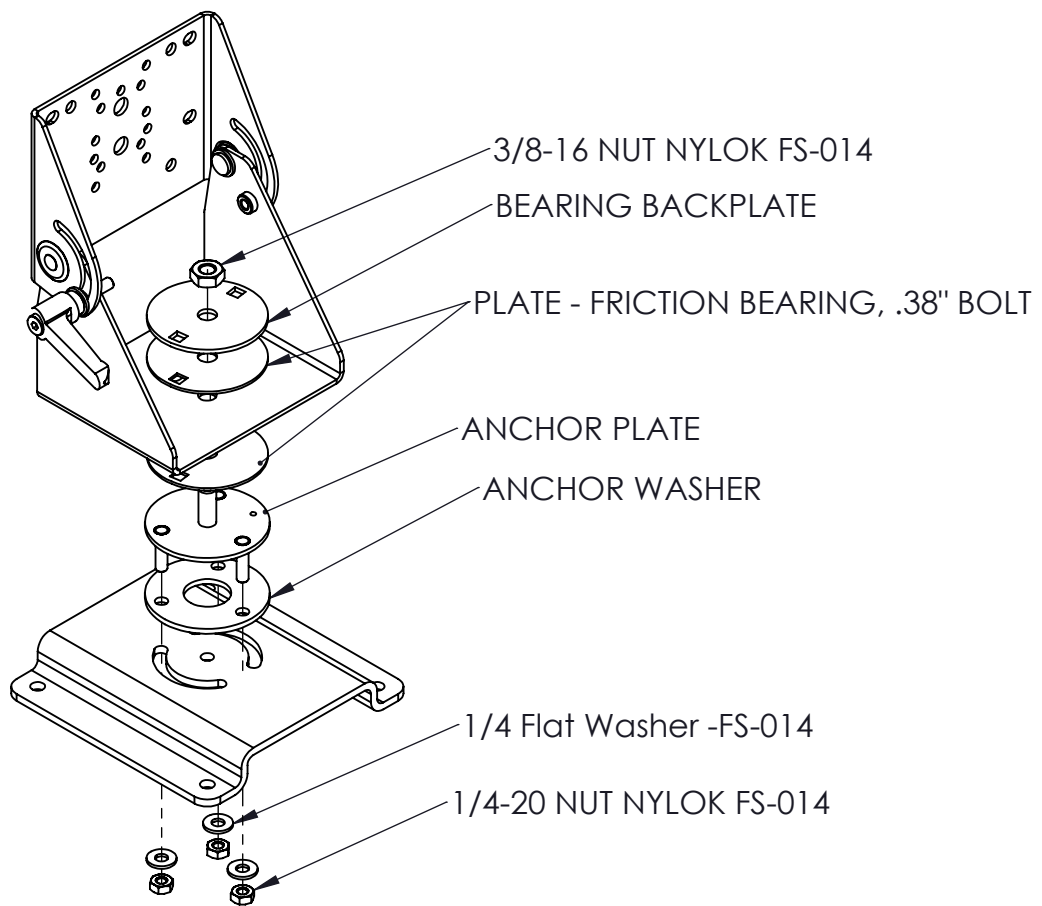
INST-793

**TALL TILT/SWIVEL DESKTOP MOUNT
LOW TILT/SWIVEL DESKTOP MOUNT**

Printing Spec:PS-001

This instruction sheet covers the installation of the Gamber-Johnson(7170-0585 & 7170-0586). This kit is intended to mount a dock/cradle to a desktop.

Tall Tilt/Swivel mount is shown below, the Low Tilt/Swivel is assembled in the same manner. The installer is responsible for supplying hardware (type, size, quantity) for mounting to a desktop(example: Lag Screws, Machine Bolts, Concrete Anchors).



Product Mounting Disclaimer

Gamber-Johnson is not liable under any theory of contract or tort law for any loss, damage, personal injury, special, incidental or consequential damages for personal injury or other damage of any nature arising directly or indirectly as a result of the improper installation or use of its products in vehicle or any other application. In order to safely install and use Gamber-Johnson products full consideration of vehicle occupants, vehicle systems (i.e., the location of fuel lines, brakes lines, electrical, drive train or other systems), air-bags and other safety equipment is required. Gamber-Johnson specifically disclaims any responsibility for the improper use or installation of its products not consistent with the original vehicle manufactures specifications and recommendations, Gamber-Johnson product instruction sheets, or workmanship standards as endorsed through the Gamber-Johnson Certified Installer Program.

© Copyright 2017 Gamber-Johnson, LLC

If you need assistance or have questions, call Gamber-Johnson at 1-800-456-6868

Panasonic Toughbook CF-54 Docking Station (No RF)

Item #7160-0577-00



Antenna Pass-Through

None

Port Replicators

- Ethernet - RJ45
- Fully Powered USB 3.0 (2) - 9 pin
- VGA - D-sub 15 pin
- HDMI - 19 pin
- Serial - D-sub 9 pin
- Input Voltage - 15.6 V DC
- RF Switch

Power Supply

No - must use external Lind Auto Adapter (Item No. 14103)

Weight

5.50 lbs. / 2.5 kg

Dimensions

Height: 3.50" / 8.9 cm

Width: 13.48" / 34.2 cm

Depth: 11.85" / 30.1 cm

Features

- Designed to MIL-STD 810G test procedures and complies with FCC Class A standards
- Small footprint - designed to maximize available space inside of vehicle
- Gamber-Johnson has worked with Panasonic to perform the appropriate tests needed to qualify a product as Toughbook Certified
- Rear-facing I/O ports, integrated cable strain relief system, and convenient cable management system
- Spring-loaded docking connector to ensure connectivity in the roughest terrain
- Front safety bracket and rear corners ensure proper alignment and docking connectivity
- Spring-loaded plate protects RF connector from damage when computer is not in the docking station. Plate draws back into the docking station when the computer is docked.
- Docking station accommodates the Toughbook 54 Performance model and all models with the following integrated options: Insertable SmartCard (bottom), 2nd LAN, 4th USB (2.0), rugged Fischer USB, VGA and Serial
- Special access area for smart card reader makes it easy to insert and eject card
- Push button latch with keyed lock for theft deterrence:
 - Push the latch to release the docking connector
 - Insert computer and push latch closed to dock computer
- Can be used with **Motion Attachments** with the VESA 75mm hole pattern only
- Rugged composite/steel construction with black powder coat finish for long-term durability
- Antenna switch position:
 - Switch set toward outside of dock: Uses exterior antenna
 - Switch set to inside of the dock: Uses laptop antenna
- 3 year limited warranty

Certificates & Testing

- Toughbook Certified
- RoHS, FCC
- C-Tick, E-Mark
- Vibration Testing: MIL-STD 810G 514.5
- Docking Handle Tested: 10,000 cycles
- SAE Standard J1455 crash test



Very Well Connected™

INSTALLATION INSTRUCTIONS

Product

7160-0577

CF54 DOCKING STATION

Revision

Rev. C

Form

INST-673

Printing Spec: PS-001

This instruction sheet is for the CF54 docking station only. For instructions on features, set-up, and operation of the CF54 computer, please refer to the manual provided by Panasonic with the computer.

This docking station is designed to be used with a variety of Gamber-Johnson mounting systems. Installation instructions for other Gamber-Johnson products are provided with each individual product.

This instruction sheet is for the following products:

Item No. 7160-0577-00, (-P) & (-E) No RF (External Power Supply sold separately)

Item No. 7160-0577-02, (-P) & (-E) Dual RF (External Power Supply sold separately)



Product Mounting Disclaimer

Gamber-Johnson is not liable under any theory of contract or tort law for any loss, damage, personal injury, special, incidental or consequential damages for personal injury or other damage of any nature arising directly or indirectly as a result of the improper installation or use of its products in vehicle or any other application. In order to safely install and use Gamber-Johnson products full consideration of vehicle occupants, vehicle systems (i.e., the location of fuel lines, brakes lines, electrical, drive train or other systems), air-bags and other safety equipment is required. Gamber-Johnson specifically disclaims any responsibility for the improper use or installation of its products not consistent with the original vehicle manufactures specifications and recommendations, Gamber-Johnson product instruction sheets, or workmanship standards as endorsed through the Gamber-Johnson Certified Installer Program.

© Copyright 2015 Gamber-Johnson, LLC

If you need assistance or have questions, call Gamber-Johnson at 1-800-456-6868

PRE-INSTALLATION RECOMMENDATIONS

Conduct a "Bench Test"

Gamber-Johnson strongly advises a "bench test" be conducted to verify all electronic and software issues are resolved prior to installation:

1. Make sure the computer is operational by itself.
2. Insert computer into the docking station and verify that the computer is operating in the dock.
3. Interconnect entire assembly and verify start-up of all components, including other equipment (printers, modems, scanners, etc.)

Gamber-Johnson recommends positioning of all mounts and equipment in the vehicle prior to the actual install to verify that mounting locations are safe and practical.

IMPORTANT SAFETY INFORMATION FOR INSTALLERS

Safety is dependent on the proper installation and servicing of this docking station. It is important to read and follow all instructions before installing this product.

To properly install a Gamber-Johnson docking station you must have a good understanding of automotive electrical procedures and systems, along with proficiency in the installation and service of aftermarket vehicle equipment.

There are no adjustments required at any time of the electrical components within the docking station. **Opening the docking station will void the product warranty.**

During Installation:

DO NOT connect this docking station to the vehicle battery until:

1. All other electrical connections are made
2. Mounting of all components is complete
3. Verification that no shorts exist in the entire system

DO NOT install equipment or route wiring or cords in the deployment path of any air bag.

When drilling into the vehicle, DO make sure that both sides of the surface are clear of anything that could be damaged.

CAUTION: *If wiring is shorted to the frame, high current conductors can cause hazardous sparks resulting in electrical fires or flying molten metal.*

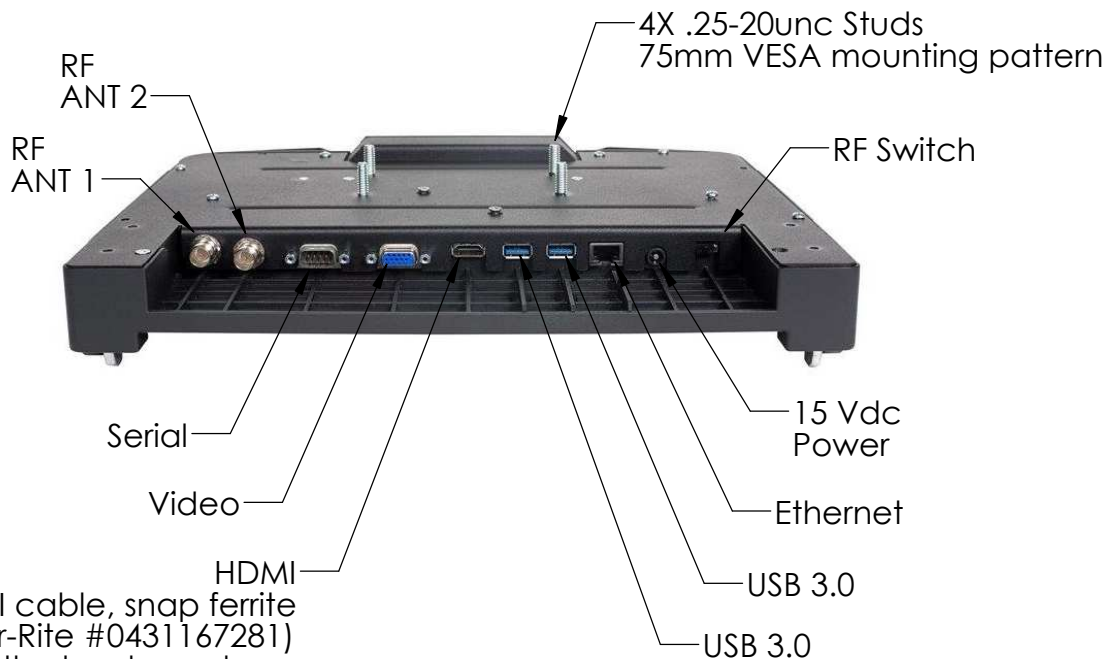
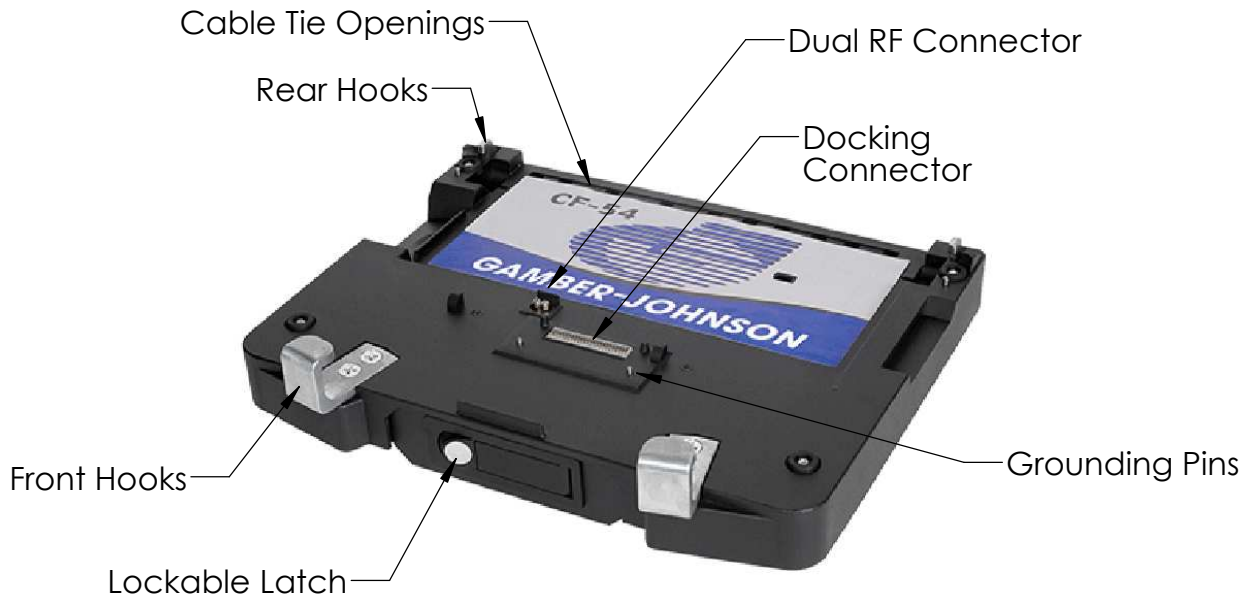
After installation:

Test the docking station to ensure that it is working properly.

File these instructions in a safe place and refer to them when performing maintenance or re-installing.

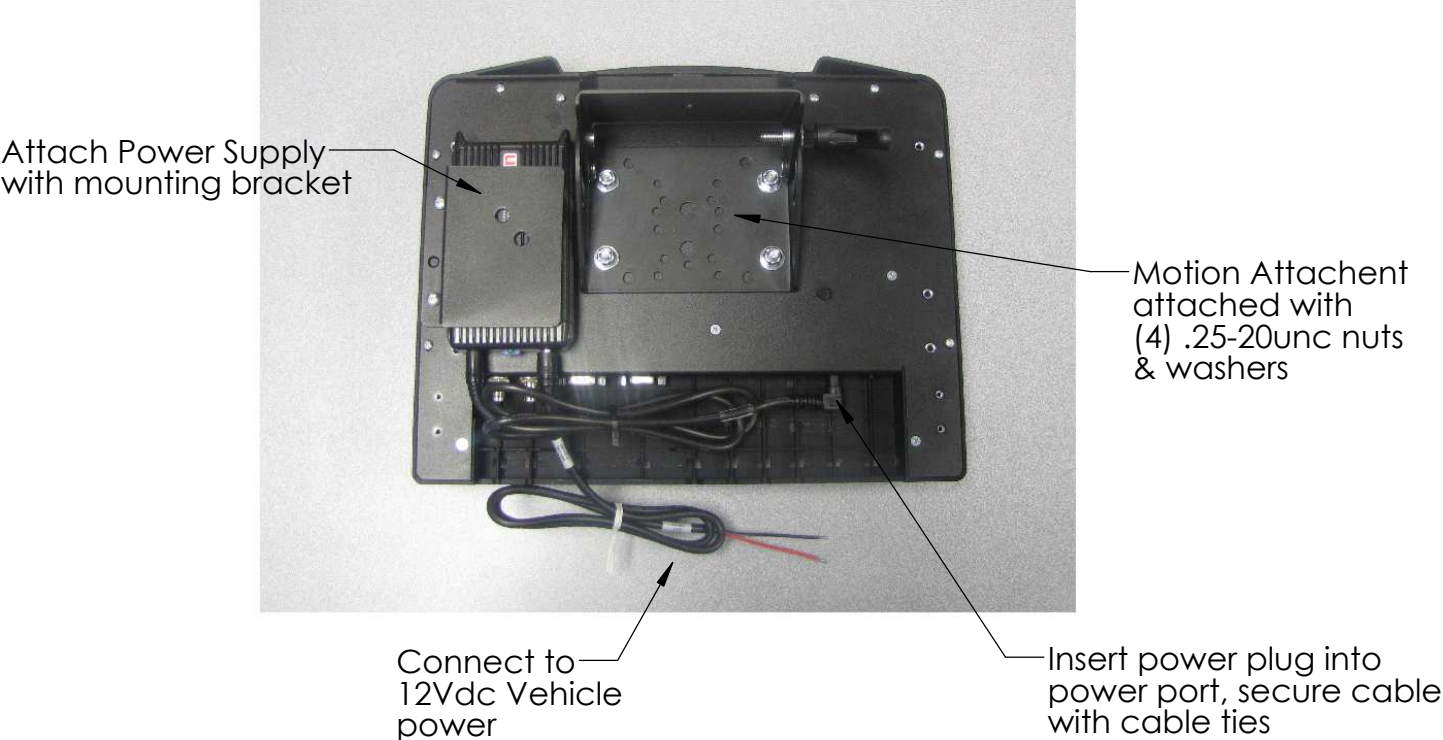
WARNING: *Failure to follow all safety precautions and instructions may result in property damage, serious injury, or death.*

CF-54 DOCKING STATION FEATURE IDENTIFICATION



If using HDMI cable, snap ferrite (GJ# 15064 - Fair-Rite #0431167281) supplied in the hardware bag, onto the HDMI cable as close to the dock as possible

CONNECTING VEHICLE POWER TO A CF-54 DOCKING STATION WITH AN EXTERNAL POWER SUPPLY



SCREEN SUPPORT ACCESSORY

Two Screen Supports (7110-1023), one installed on each side of the dock, are recommended for installations in environments with high vibration.



DOCKING THE COMPUTER

1. Push the Latch Button to open the latch if the dock is in the closed position.
2. Insert the front of the CF-54 computer under the front hooks on the dock. Look at the handle to make sure the front of the computer is centered on the front hooks.
3. Lower the back of the computer down onto the dock and the docking connector.
4. **Lightly press down on the back of the computer to ensure it is fully seated** while closing the latch.
5. The rear hooks will engage the back of the computer to hold it in place.



TO UNDOCK THE COMPUTER

1. Press the Latch Button. The front latch is spring loaded and will automatically open.
Lightly press down on the back of the computer and the rear hooks will retract from the computer.
2. Lift the back of the computer off the dock and docking connector.
3. Pull the front of the computer out from under the front hooks.



Regulatory Certification Information

Regulatory Model #: 7160-0577

GJ Model #'s & Description:

7160-0577-00	Dock - Panasonic - CF54 - No RF - VESA 75
7160-0577-00-P	Dock - Panasonic - CF54 - No RF - VESA 75
7160-0577-00-E	Dock - Panasonic - CF54 - No RF - VESA 75
7160-0577-02	Dock - Panasonic - CF54 - Dual RF - VESA 75
7160-0577-02-P	Dock - Panasonic - CF54 - Dual RF - VESA 75
7160-0577-02-E	Dock - Panasonic - CF54 - Dual RF - VESA 75

Certifications:

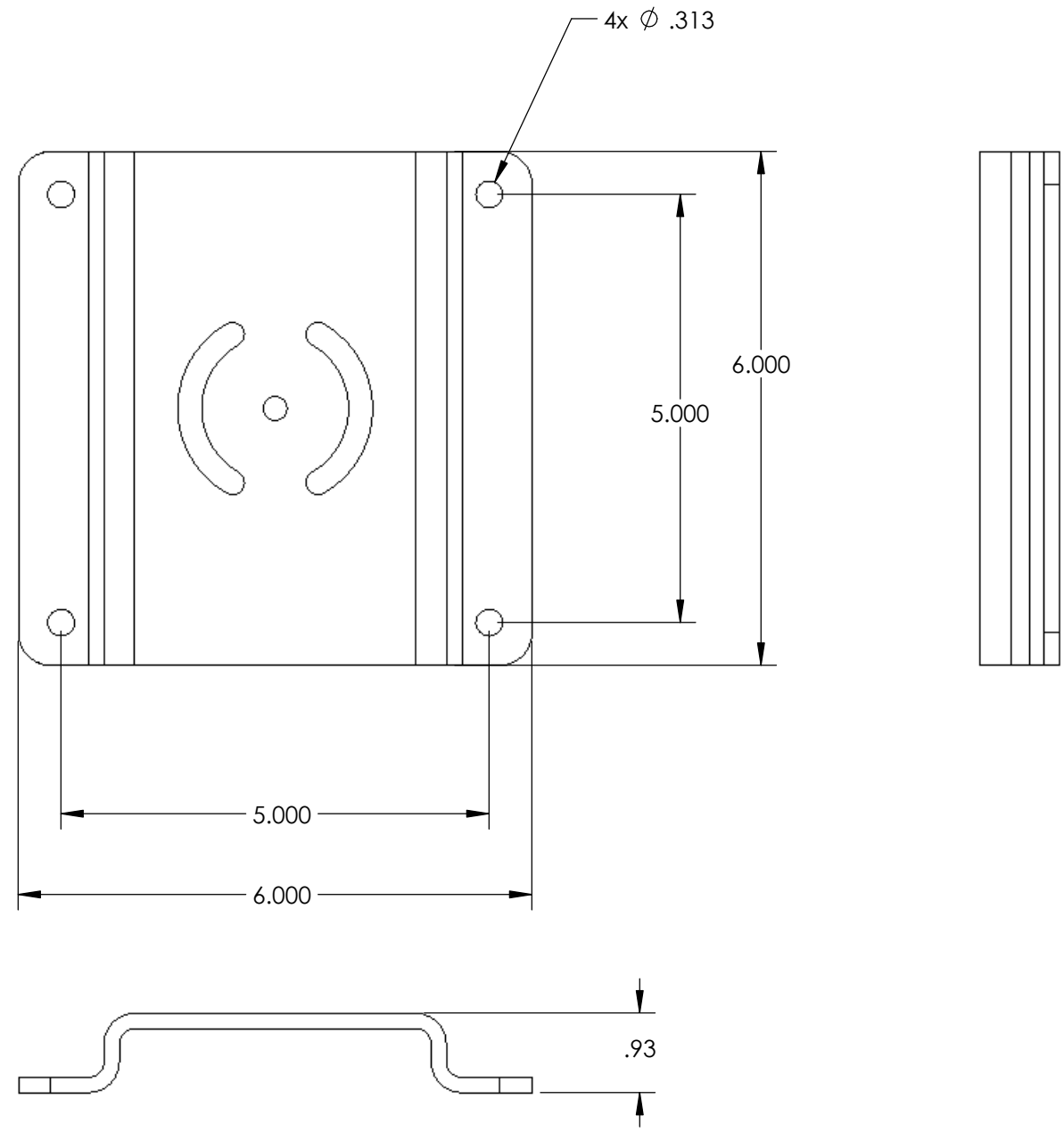
- EN 55022:2010 CISPR 22:2008 Class B
- EN 50498:2010
- EN 50581:2012
- EN 60950-1:2006/A2:2013
- CAN/CSA C22.2 No. 60950-1:2007/A2:2014
- UL 60950-1:2007/R:2014-10
- E-Mark

This device complies with Part 15 of the FCC Rules. Operation is subject to the following two conditions. (1) this device may not cause harmful interference, and (2) this device must accept any interference received, including interference that may cause undesired operation.

E8 10R-04 8017



Gamber-Johnson LLC, 3001 Borham Ave.,
Stevens Point, WI, 54481, USA, 715-344-3482



UNLESS OTHERWISE SPECIFIED, DRAWING DEFINITIONS AND TOLERANCES SHALL BE FOUND UNDER SUPPLIER STANDARDS SS-001.				
ALL INFORMATION ON THIS DOCUMENT IS THE SOLE PROPERTY OF GAMBER-JOHNSON AND SHALL NOT BE COPIED, REPRODUCED, USED OR DISCLOSED IN WHOLE OR IN PART WITHOUT THE WRITTEN CONSENT OF GAMBER-JOHNSON	MATERIAL:			SHEET
	FINISH:			2 of 2
	Scale 1:2	TOLERANCES .00 ±.060 .000 ±.020 .0000 ±.005 ANGLES ±1.0°	Drawn BY: SH APPD BY: SH	Date: 4/17/2013 Date: 4/17/2013
SolidWorks CAD Files DS-56	BASE - HORIZONTAL SURFACE			
GAMBER-JOHNSON LLC 3001 BORHAM AVE., STEVENS POINT, WI 54481	SIZE: B	DRAWING NUMBER DS-56	REV: A	