

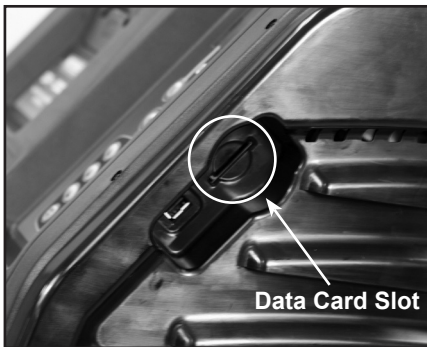
Updating The GRX-5000 Software

The GRX-5000 software must be updated before you can use it with the HEV battery module cradle. This is a one-time update and when completed your charge balancer will work with both the EV and HEV battery module cradles.



NOTE: Please allow 10-15 minutes to complete the software update.

1. Insert the update data card into the data card slot and ensure it locks in place.



2. Power up the GRX-5000. A message notifying you that the software version will be updated from 212A to 212B is displayed on the screen.
3. Press the **YES** soft key to start the update. A message will be displayed on the screen once the software has been successfully updated.
4. Turn the GRX-5000 off, remove the data card and power the unit back up again.

Connecting The HEV Cradle

CAUTION

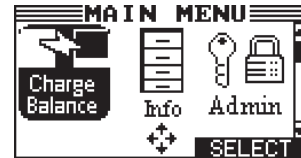
Risk of explosive gases

Batteries generate explosive gases during normal operation, and when discharged or charged.

The HEV cradle connects to the Cradle Interface Box in the same manner as the EV cradle. Follow the procedure shown on page 15 in the GRX-5000 EV Instruction Manual.

Using The HEV Cradle

1. Highlight the CHARGE BALANCE icon from the Main Menu and press the **NEXT** soft key.

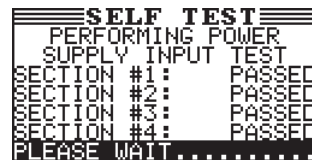


2. Select the VEHICLE.
 - 1 NISSAN LEAF EV
 - 2 INFINITI M35 HEV
3. Use the keypad to enter the desired TARGET VOLTAGE.



Press the **NEXT** soft key to continue.

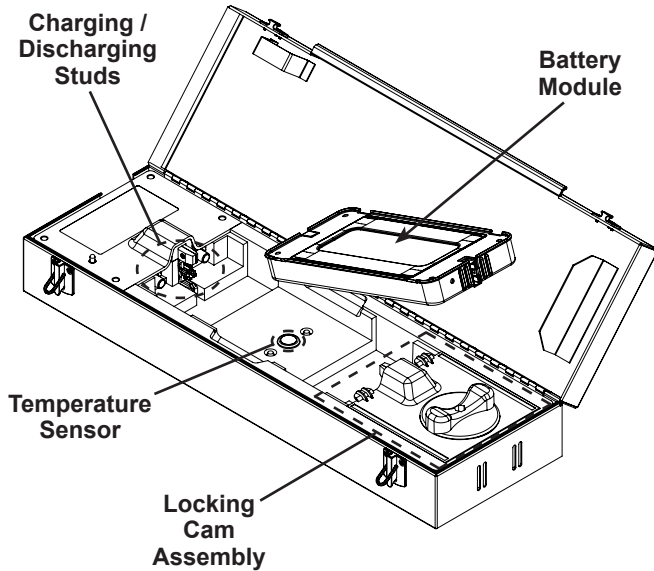
4. The analyzer begins performing an HEV Main Board Input Self Test.



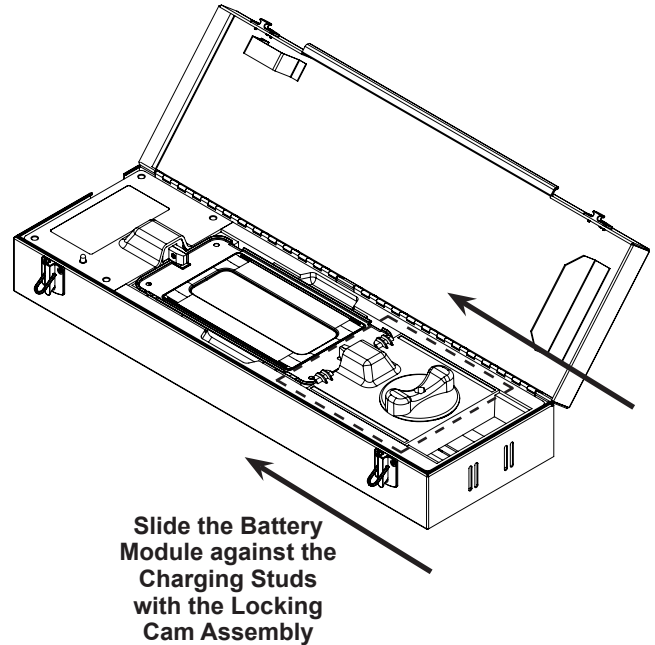
5. Following a successful Input Self Test, the analyzer then performs an HEV Main Board Output Self Test.



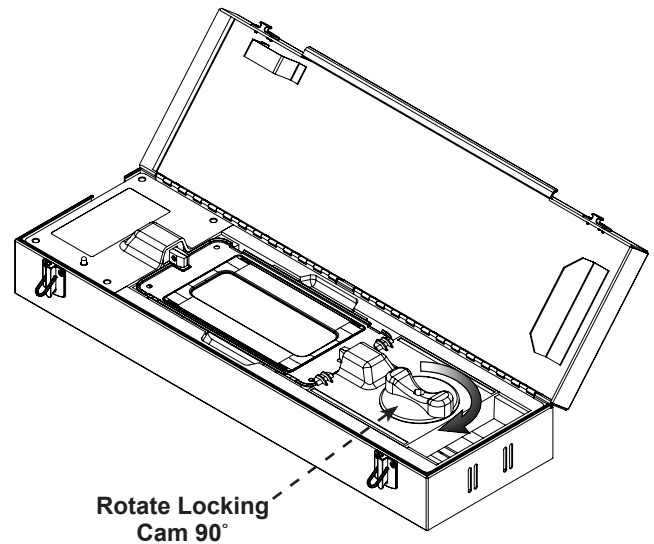
6. When prompted unlatch and open the Battery Module Cradle lid.
7. Place the battery module into the cradle. Make sure the electrical connections on the end of the module are in line with the charging/discharging studs in the cradle.



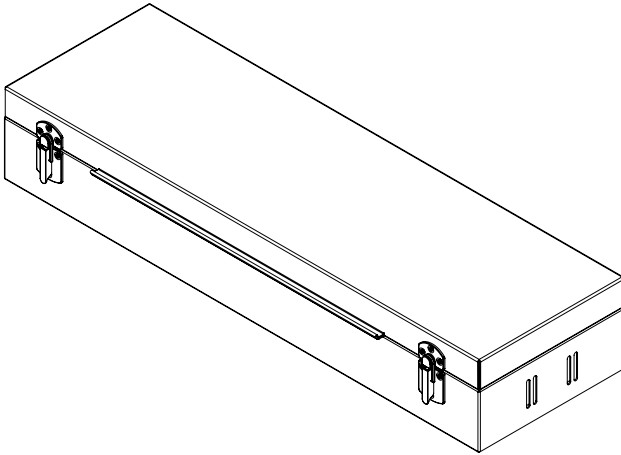
8. Using the locking cam assembly, slide the battery module until it is firmly against the charging studs.



9. Rotate the locking cam knob to hold the battery module in place.



10. Close cradle lid and secure the latches.



11. Press **NEXT** to begin the Charge Balance process.
12. The Charge Balancer now performs a Power On Self Test on the Battery Module Cradle.
13. The Charge Balancer will now begin the Charge Balance process. Depending on the measured voltage, the Charge Balancer will condition the battery module to match the entered target voltage.



NOTE: Press **STOP** if it becomes necessary to interrupt the Charge Balance session.

14. Once the Charge Balance session is complete, the results are displayed on the Charge Balancer screen. Refer to page 18 of the GRX-5000 EV Instruction Manual to interpret the test results.



NOTE: If the measured voltage of the battery module in the Battery Module Cradle is already at the entered Target Voltage, no conditioning is required and the Charge Balance session is aborted.

The battery module can now be removed from the cradle and installed in the battery pack.



www.midtronics.com

Corporate Headquarters

Willowbrook, IL USA
Phone: 1.630.323.2800
Canadian Inquiries
Toll Free: 1.866.592.8053

Midtronics b.v.

European Headquarters
IJsselstein, The Netherlands
Serving Europe, Africa, the Middle
East, and The Netherlands
Phone: +31 306 868 150

Midtronics China Office

China Operations
Shenzhen, China
Phone: +86 755 8202 2037

Midtronics India

Mumbai, India
Phone: +91.989 237 6661

Asia/Pacific (excluding China)

Contact Corporate Headquarters
Phone: +1.630.323.2800